

# AFMFOREST Proven performance



AFM 35 White Line

## AFM 35 White Line

AFM 35 is a powerful and versatile thinning head, which is suitable for conventional general as well as energy wood processing, multi stemming and loading. Optional multi tree handling cassette and the cutting blade is designed to speed up the cutting and handling of the small diameter energy wood. High feeding power and feeding speed ensure a profitable small wood harvesting. AFM 35 can be equipped with measuring and control system with volume counting and data transfer. As a base machine can be chosen small excavator, forwarder or harvester base.



from. 650 kg



Opt. 5-25 cm



Opt. 0,1-0,3 m3



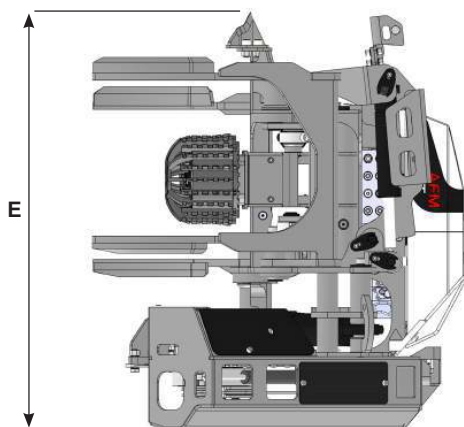
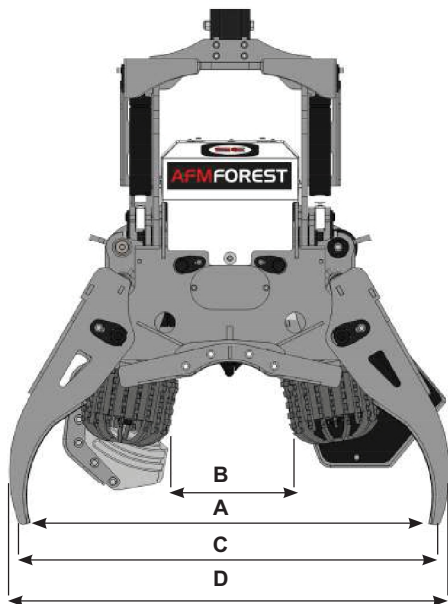
60-67 cm



8-16 ton

# Technical Specifications

# AFM 35 White Line



## Mitat

A. opening of front knives (mm), max	1100
B. opening of rollers (mm), max	350
C. opening of back knives (mm), max	1130
D. width (mm), max	1220
E. length (mm), max	1200

## Felling and cross cutting

Felling/cross cutting diameter (cm), max	
saw unit	45/40
cutting blades	30/30
cutting knife	15/15
saw output (kW)	45
chain speed (m/s)	42
chain type	.404"
saw bar lenght (cm) max	67
chain tensioning	hydraulinen
lubrication oil tank (ltr)	6,5

## Delimiting

Delimiting knives	5
fixed knives	1
moving knives	4
delimiting diameter (cm)	5-35

## Feeding

feeding unit	2 motors- 2 rollers
syöttömootorit	2 kpl 315 cc
feeding power(kN)	17 kN
feeding speed (m/s)	5

## Measuring

length	wheel/spring loaded
diameter	from feed rollers

## Measuring Device

standard	Motomit IT/PC, IQAN
----------	---------------------

## Hydraulics

working pressure (bar), max	260
-----------------------------	-----

## Base Machine

type	harvester 8-16 ton forwarder 12-16 ton excavator 10-14 ton
engine power (kW), min	60
hydraulic flow (l/min), min	120-200
Crane (kNm)	100-200

## Optional

cutting knife	
colour coding	
stump spray	

Your AFM-dealer:

## AFMFOREST

HAKKUTIE 3  
40320 JYVÄSKYLÄ  
FINLAND

Tel. +358 20 765 9050  
sales@afm-forest.fi  
www.afm-forest.fi